

GELFAND PARTNERS ARCHITECTS

165 10th Street, Suite 100
San Francisco, CA 94103
414.346.4040 | gelfandpartners.com

CLIENT

PROJECT TITLE

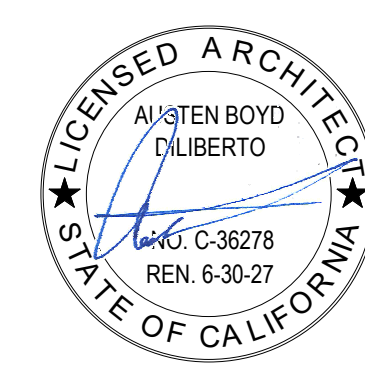
PROJECT ADDRESS

COTTONWOOD MEADOWS

120 N COTTONWOOD ST.
WOODLAND, CA 95665

JOB NO. 2217.00

ARCHITECT



DRAWING RECORD

REV.	COMMENTS	DATE
2	Addendum 01	4/16/26

SHEET NAME

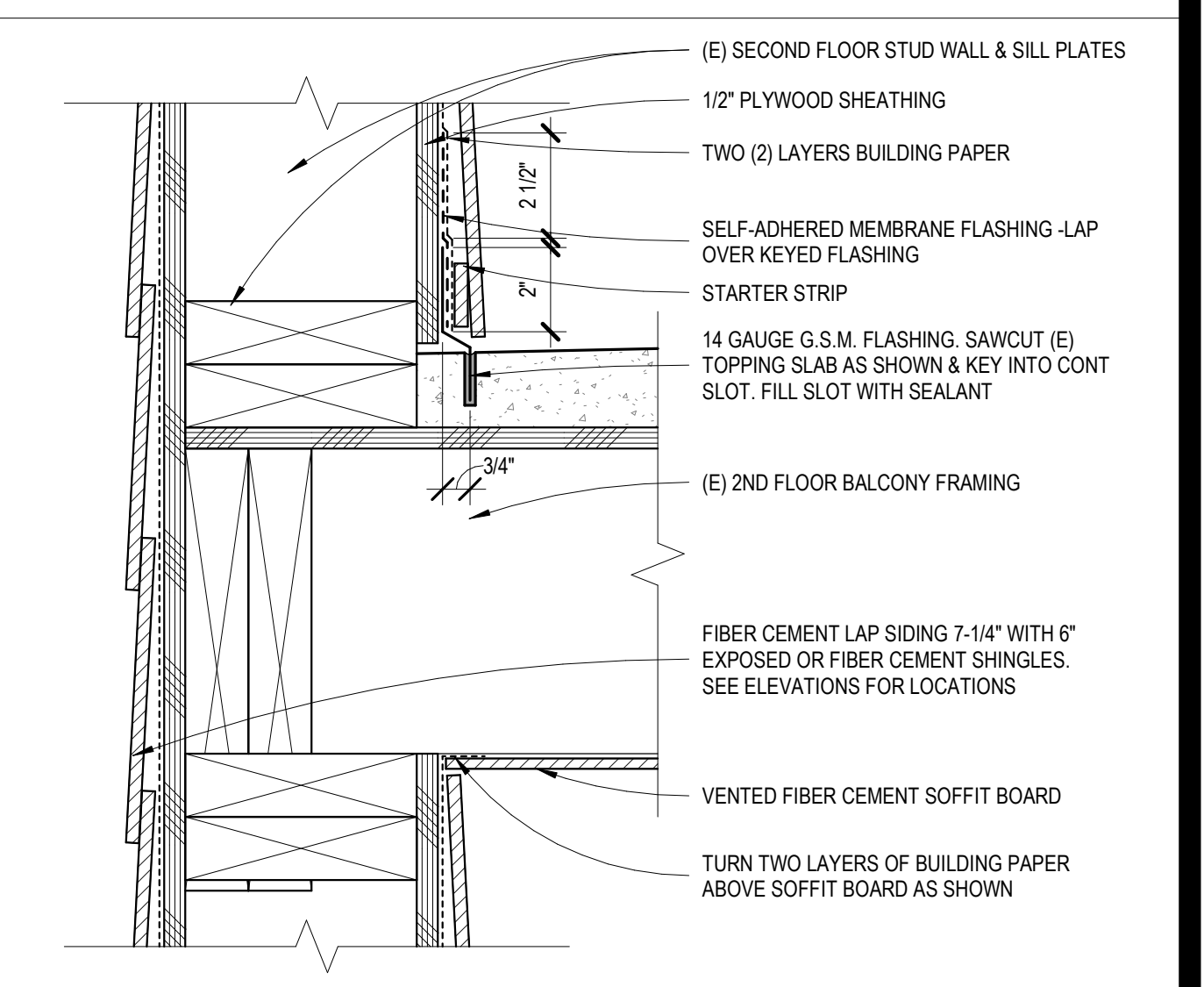
WALL DETAILS

SHEET NO.

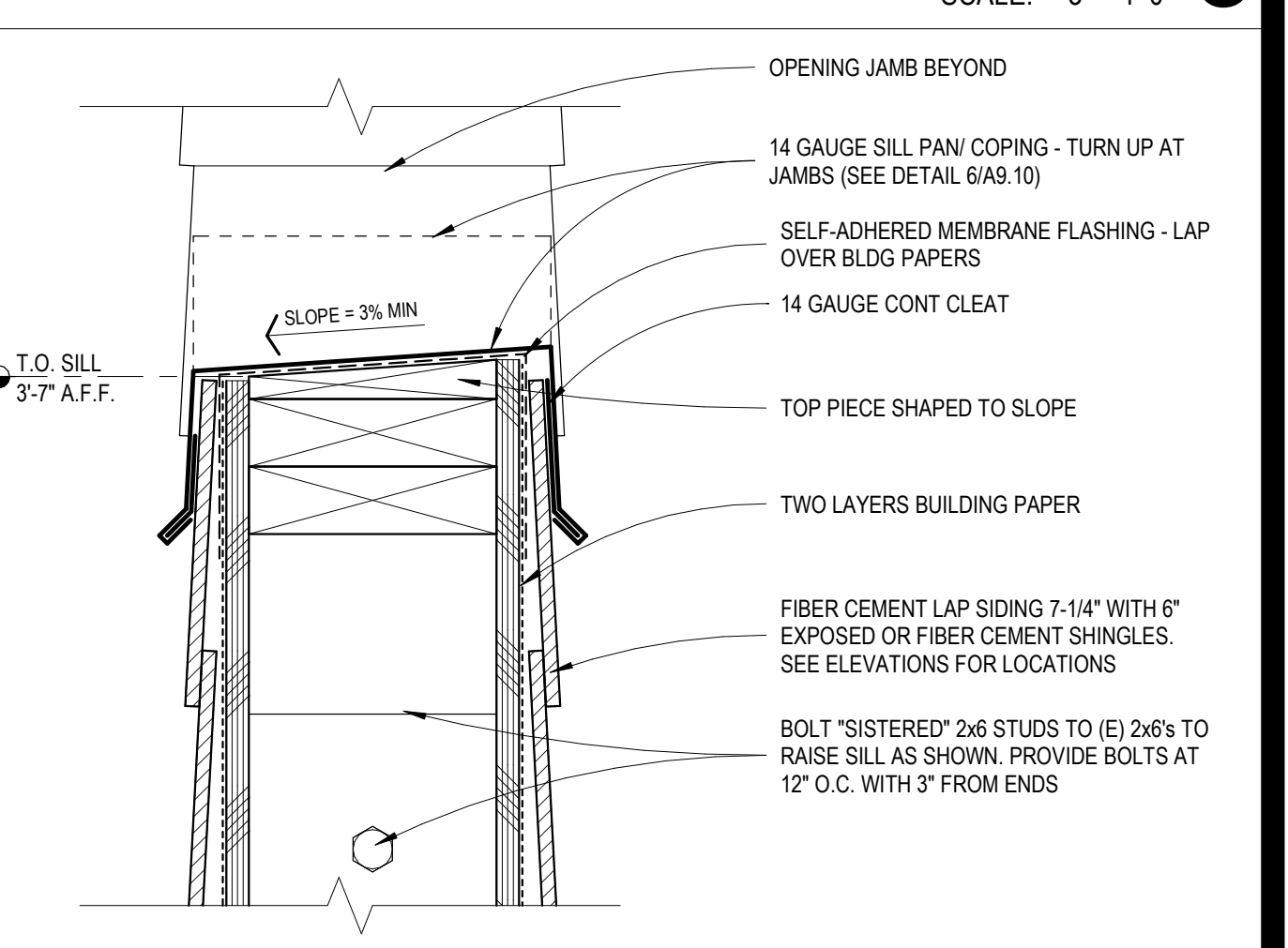
A9.10

Author: [unreadable] Date: [unreadable] Title: [unreadable]

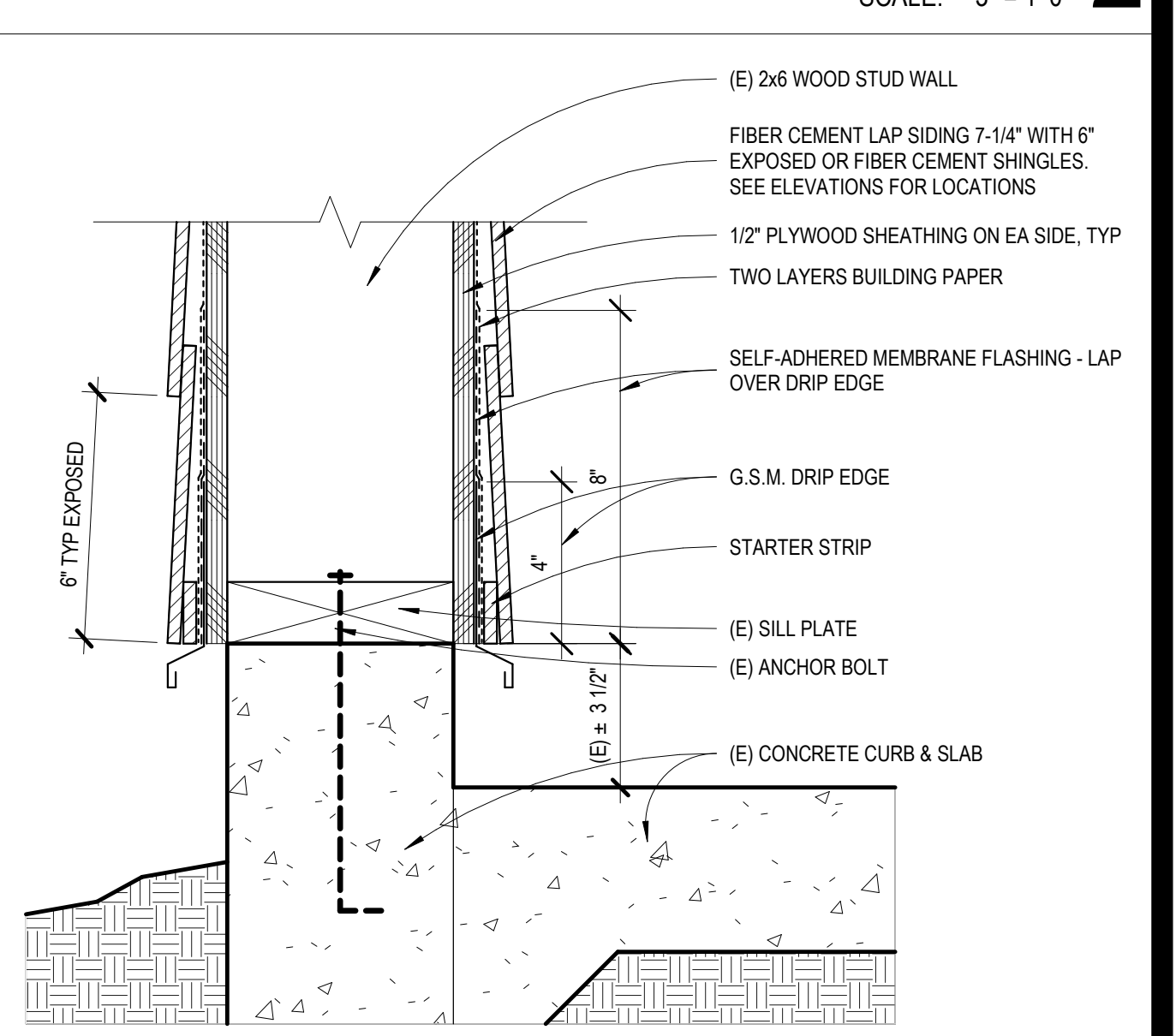
ROOF - SOFFIT INTERFACE 4
SCALE: 3" = 1'-0"



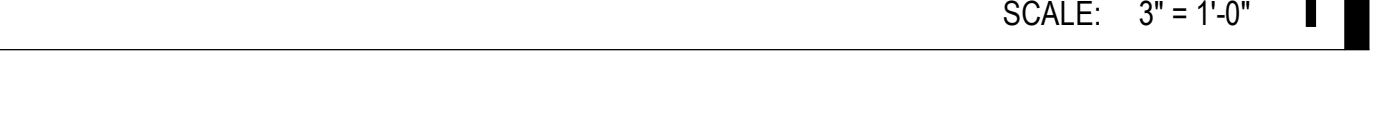
BALCONY DECK & SOFFIT 3
SCALE: 3" = 1'-0"



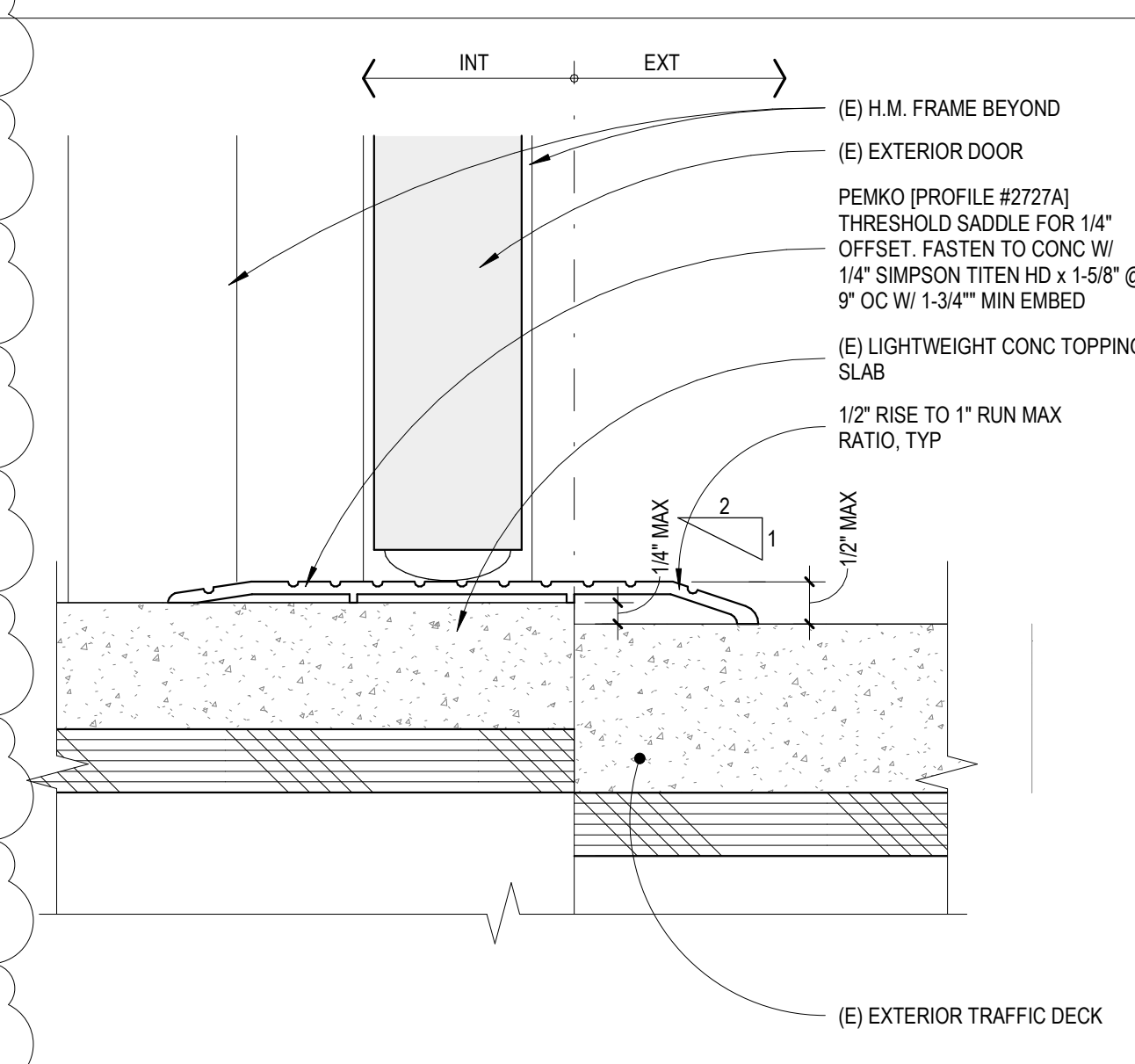
BALCONY OPENING SILL 2
SCALE: 3" = 1'-0"



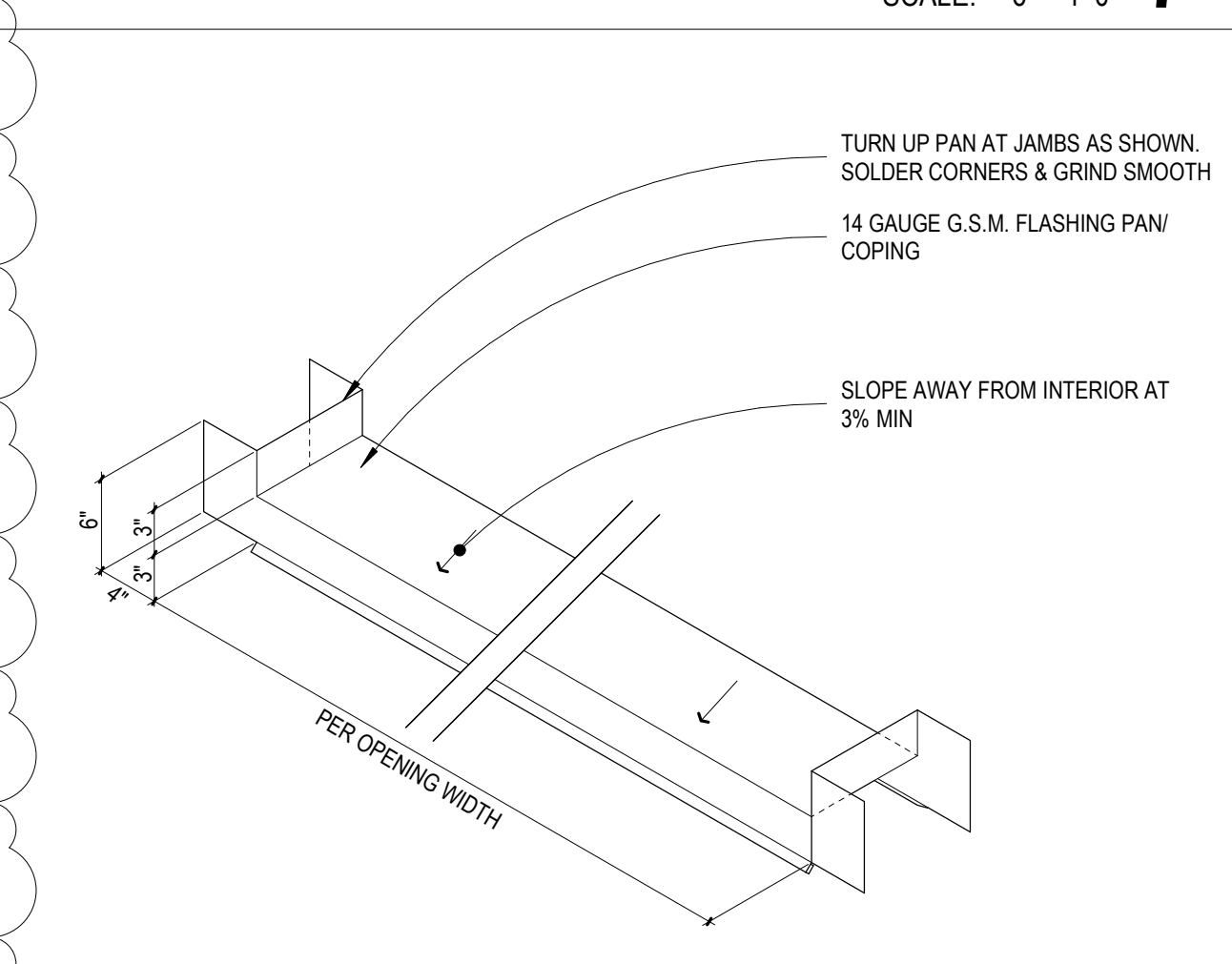
EXTERIOR WALL - CURB 1
SCALE: 3" = 1'-0"



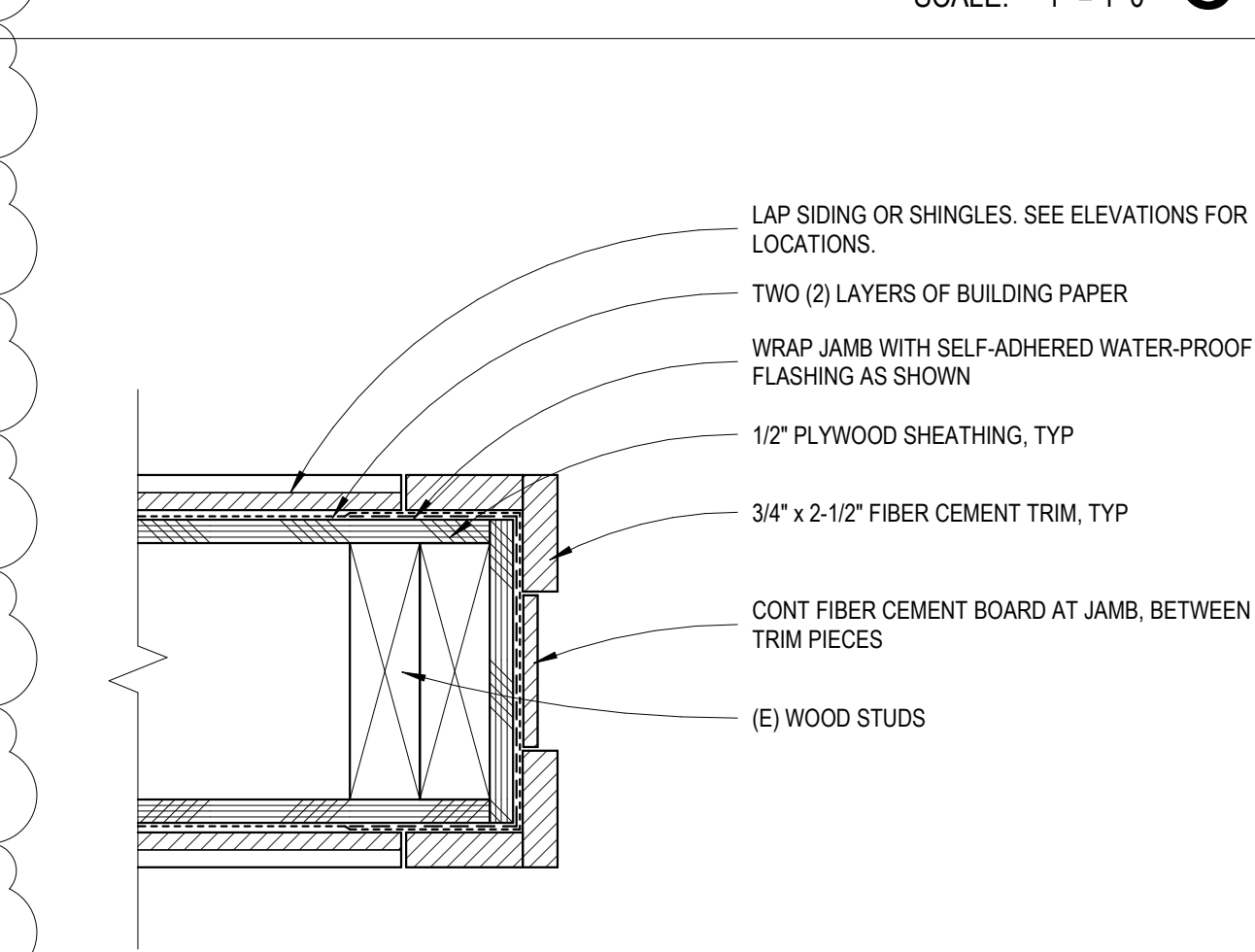
DOOR HEAD REPAIR 8
SCALE: 3" = 1'-0"



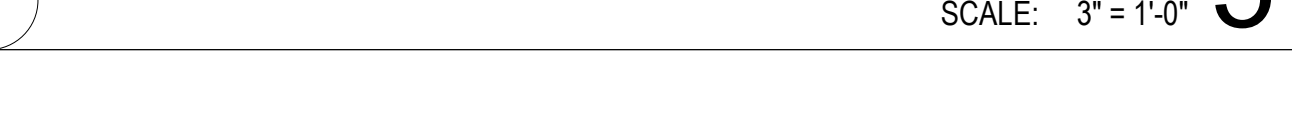
EXTERIOR DOOR THRESHOLD 7
SCALE: 6" = 1'-0"



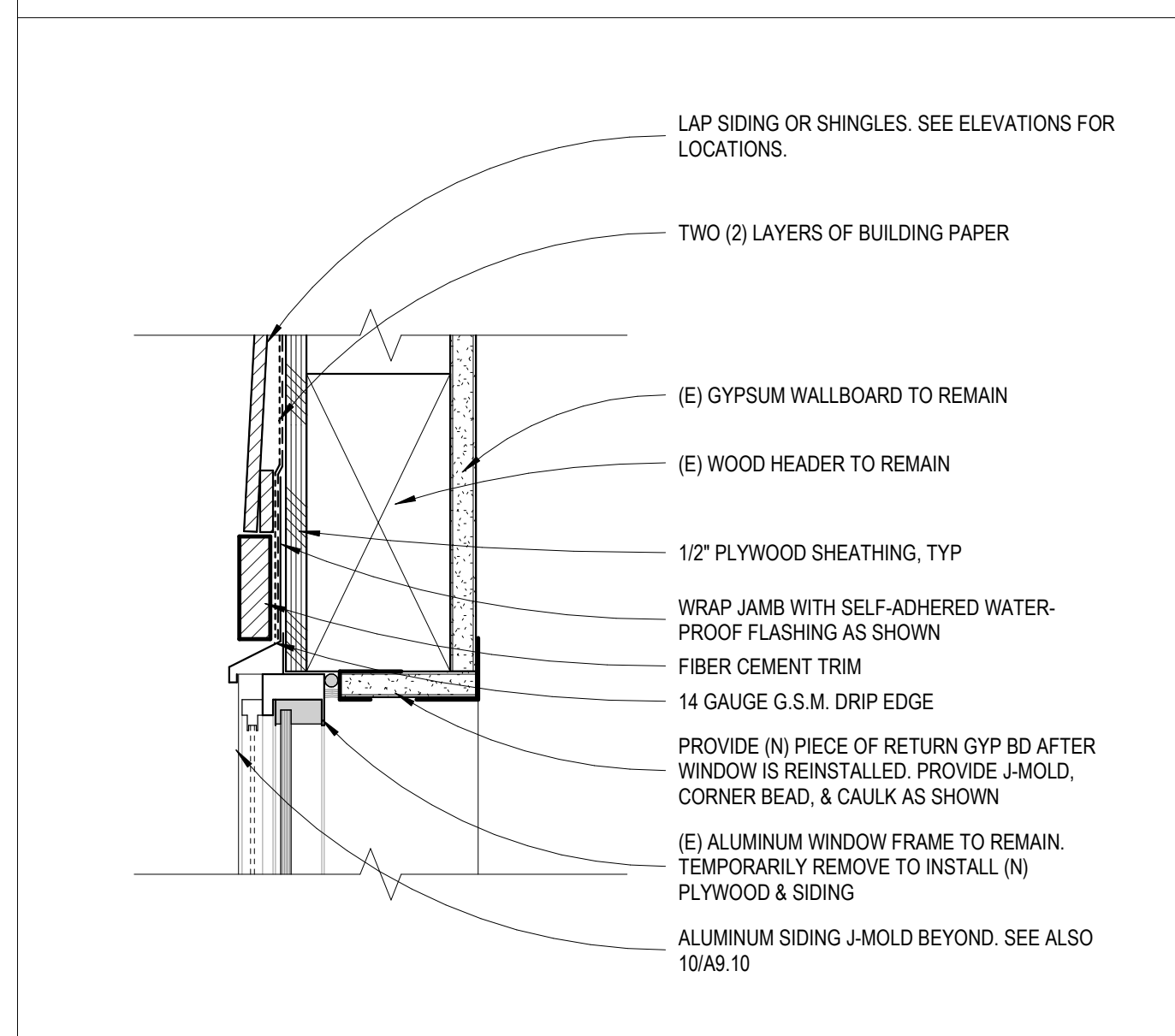
OPENING SILL FLASHING 6
SCALE: 1" = 1'-0"



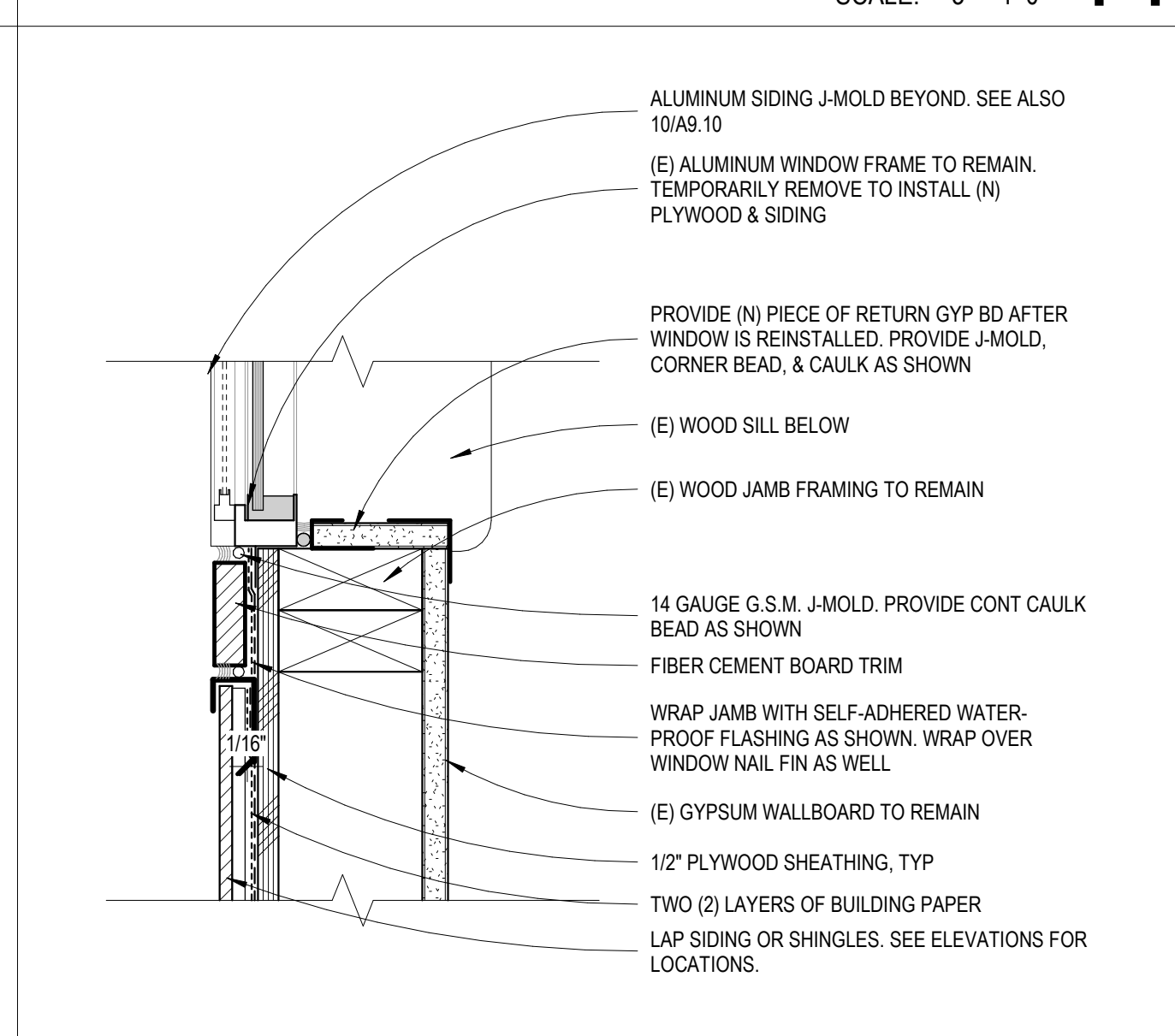
OPENING JAMB 5
SCALE: 3" = 1'-0"



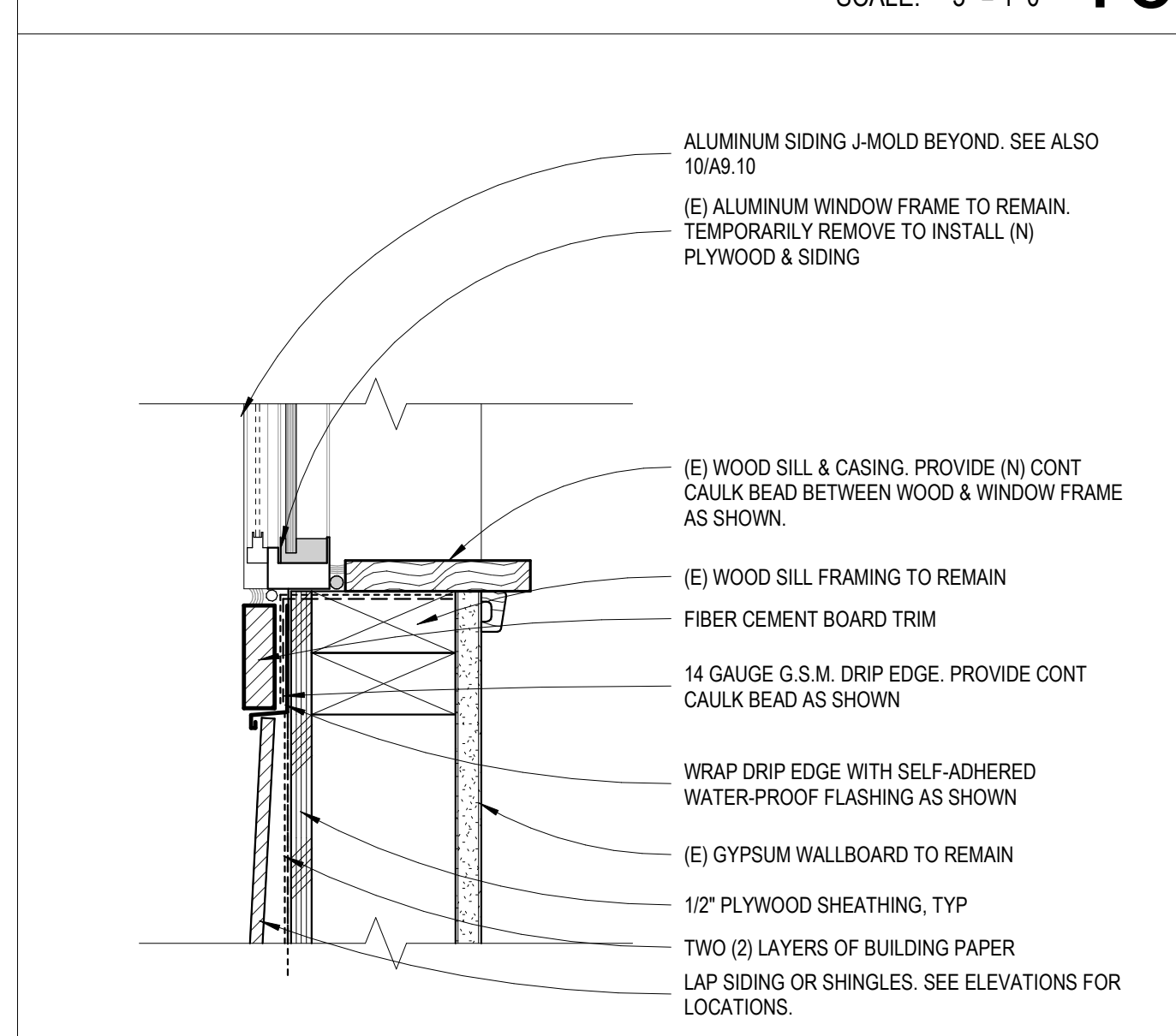
WINDOW HEAD REPAIR 11
SCALE: 3" = 1'-0"



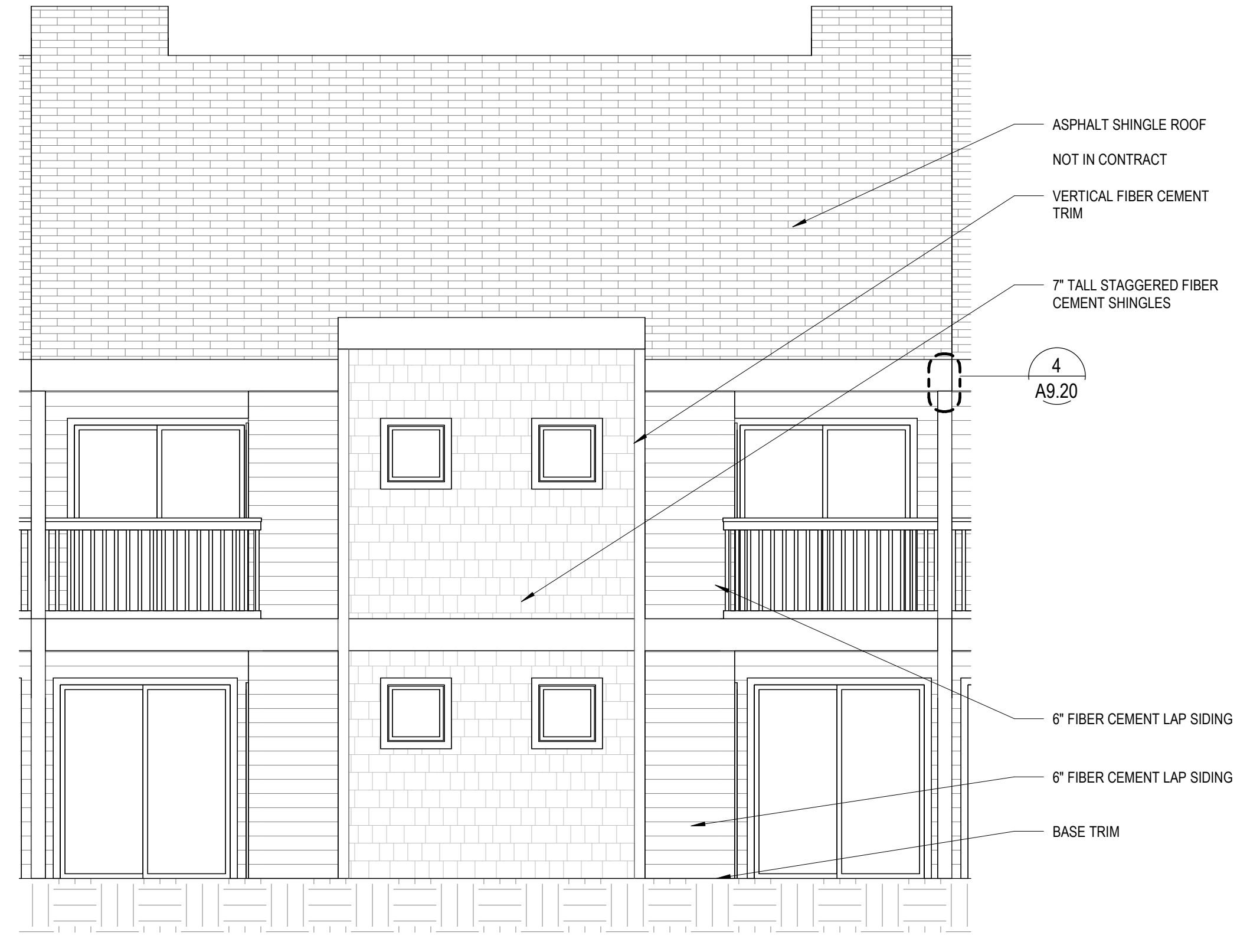
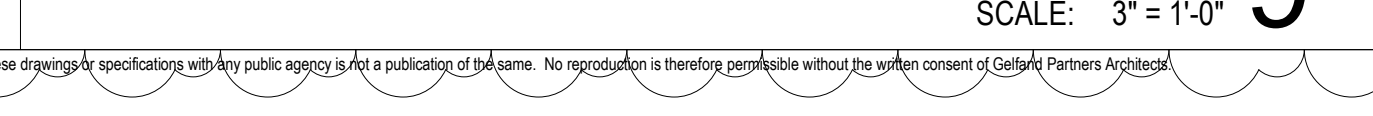
WINDOW JAMB REPAIR 10
SCALE: 3" = 1'-0"



WINDOW SILL REPAIR 9
SCALE: 3" = 1'-0"



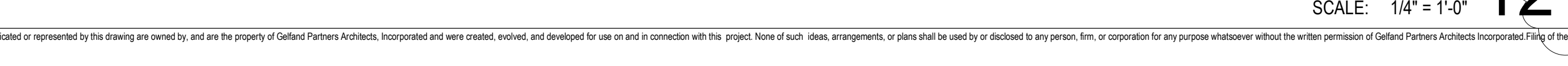
WINDOW SILL REPAIR 9
SCALE: 3" = 1'-0"



ENLARGED EAST ELEV W/ SHINGLED AREAS & LAP SIDING AREAS NOTED 13
SCALE: 1/4" = 1'-0"



ENLARGED WEST ELEV W/ SHINGLED AREAS & LAP SIDING AREAS NOTED 12
SCALE: 1/4" = 1'-0"



4/15/2026 09:35:44

All ideas, design arrangements and plans indicated or represented by this drawing are owned by, and are the property of Gelfand Partners Architects, Incorporated and were created, evolved, and developed for use on and in connection with this project. None of such ideas, arrangements, or plans shall be used by or disclosed to any person, firm, or corporation for any purpose whatsoever without the written permission of Gelfand Partners Architects, Incorporated. Filing of these drawings in public spaces or for a publication of any kind, without the written consent of Gelfand Partners Architects, Incorporated, is prohibited.